



WINE MASTER

le temps d'être différent



Installation lift pump WINEARM15

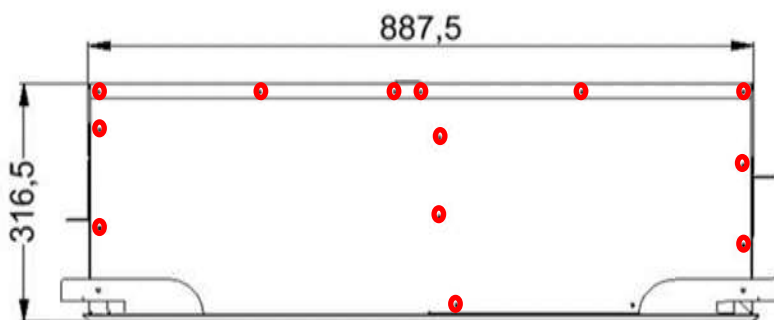
Installation guide lift pump WINEARM15

05-2022

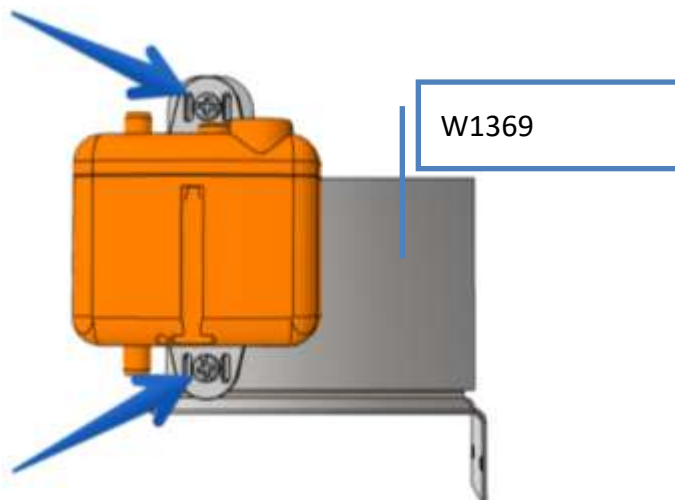
I. Installation

1.1. Step 1 : Acces from the bottom opening or dismount one side of the appliance

Disassemble the side indicated herewith by removing the screws



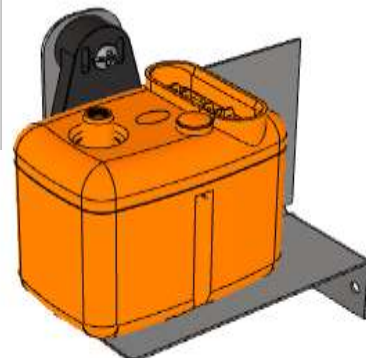
1.2. Step 2 : Fix the lifting pump on the sheet



For fixing the pump you need :

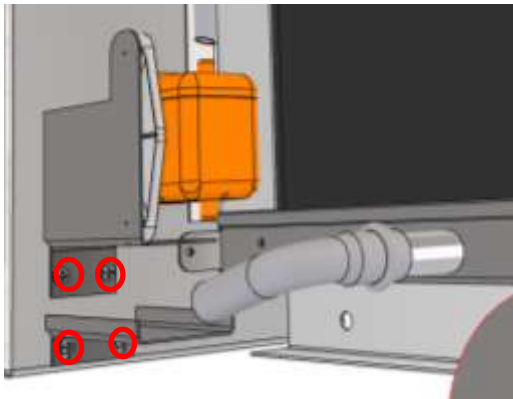
- the lifting pump
- The rubber bracket
- A sheet W1369
- Two screws W5041.1

Assemble the 3 components using screws W5041.1.

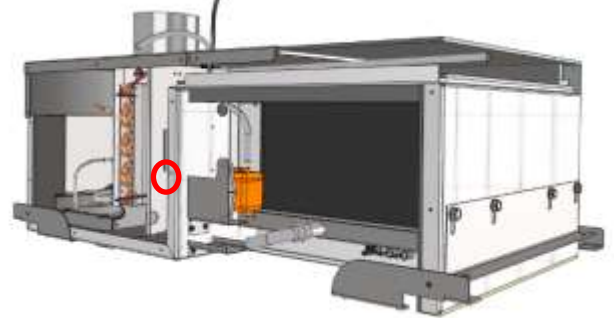


1.3. Step 3 : Installation of the brackets in the appliance

To fix the brackets you need :



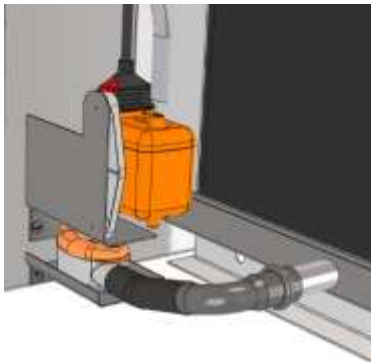
- The parts assembly
- 4x W5041.11



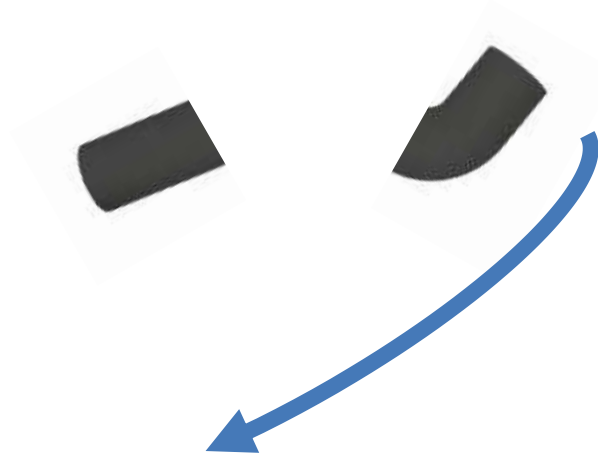
1.4. Step 4 : Sensor installation



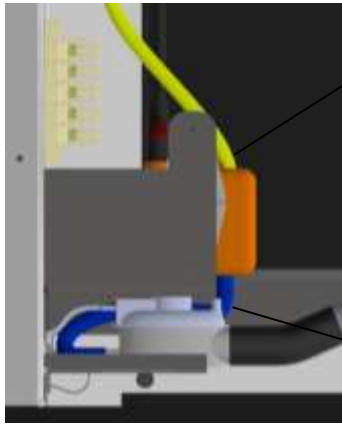
- Cut the 90° connection part with a cutter



- Use this tube piece to connect the sensor

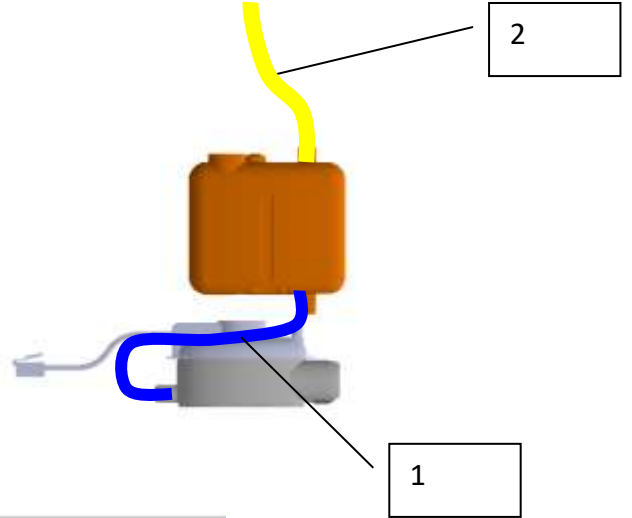


- Cut a piece of PVC tube D 6MM (1)
- Connect the sensor to the lift pump with this tube
- Use the rest of the tube to drive the liquid from the pump to the outside of the machine. (You can extend this pipe with the following constraints) (2)
- Connect the sensor to the lift pump



2

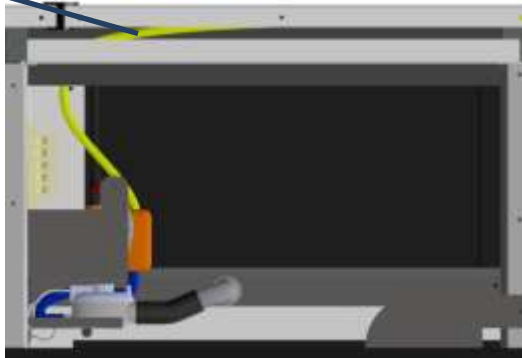
1



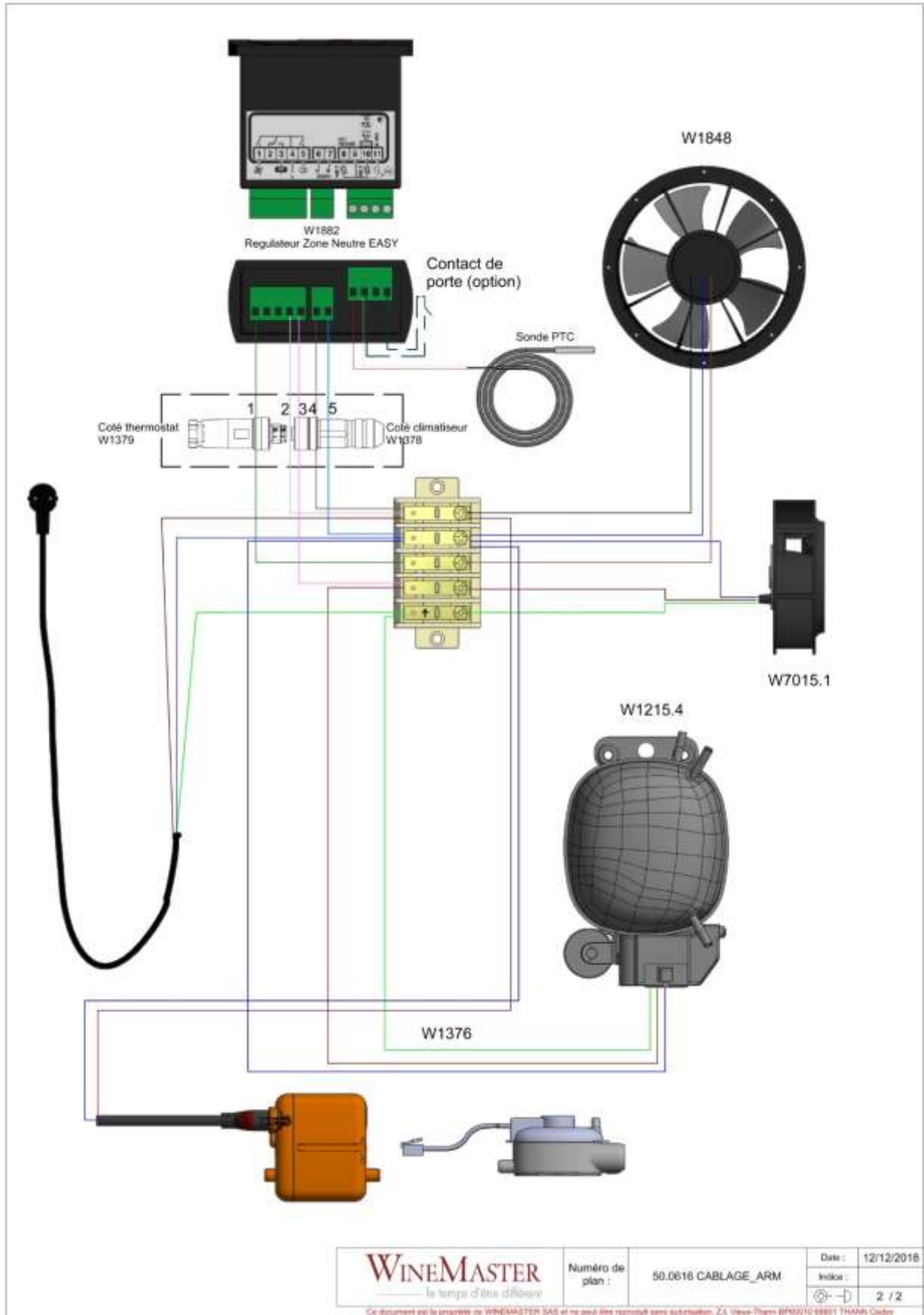
2

1

Pipes passageway



REAL FLOW TABLE					
SUCTION HEIGHT	DELIVERY HEAD	TOTAL PIPE LENGTH (ØINT 6MM, 1/4")-(C)			
		5 m	10 m	20 m	30 m
0 m	0 m	20	18	18	17
	2 m	16	15	14	13,5
	4 m	11,5	11	10,5	10
	6 m		8,5	7,5	6,5
	8 m		6	5	4
1 m	0 m	14	13	12	11
	2 m	11	10	9	8
	4 m	7,5	7	6	5
	6 m		4,5	4	
	8 m		4	3,5	2,5
2 m	0 m	11	10	9	8
	2 m	9	8	7	6
	4 m		5,5	5	4,5
	6 m		4,5	4	
	8 m		4	3,5	2,5
3 m	0 m	10,5	9	8	7
	2 m	8	7	6	5
	4 m		5	4	



<p>le temps d'être différent</p>	Numéro de plan : 50.0616 CABLAGE_ARM	Date : 12/12/2018
		Indica : 2 / 2

Ce document est la propriété de WINEMASTER SAS et ne peut être reproduit sans autorisation. ZA, Vieux-Thoron BP0010 68881 THANN Cedex